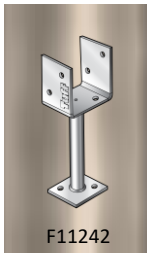
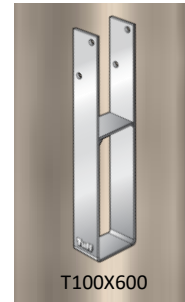
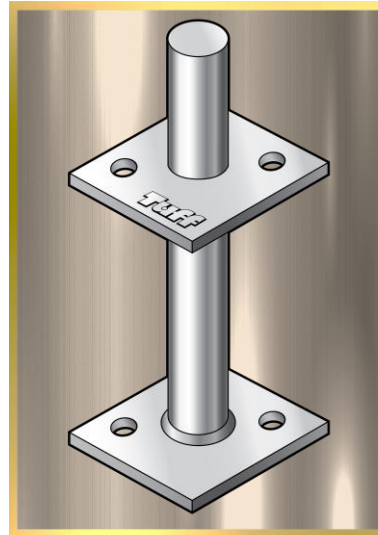
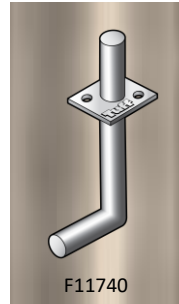
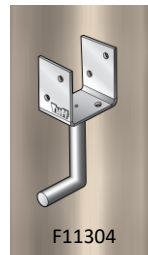


F11752 CENTRE FIX TYPE STIRRUP



PRODUCT CODE	: F11752
BARCODE	: 9314691117529
POST SIZE	: 100MM
SHAFT HEIGHT	: 75MM (DISTANCE BETWEEN 2 SQUARE PLATES)
TOP VERTICAL SECTION	: 62MM
BOLT HOLE	: M12
MADE FROM	: 4MM STEEL
FINISHING	: HOT DIP GALVANISED

NOTES:

- IDEAL FOR PERGOLA, CARPORT AND VERANDA POSTS EG. SQUARE OR ROUND POSTS
- IDEAL FOR POSTS WHERE POST SUPPORT IS NOT TO BE VISIBLE
- PRIMARILY USED FOR BOLTING TO EXISTING TIMBER DECKING OR CONCRETE BASE
- CAN ALSO BE USED FOR SETTING INTO CONCRETE (EXCEPT FOR F11752 & F11763)
- SOLID BAR CONSTRUCTION
- HEAVY DUTY EXTRA WEIGHT BEARING SHAFT